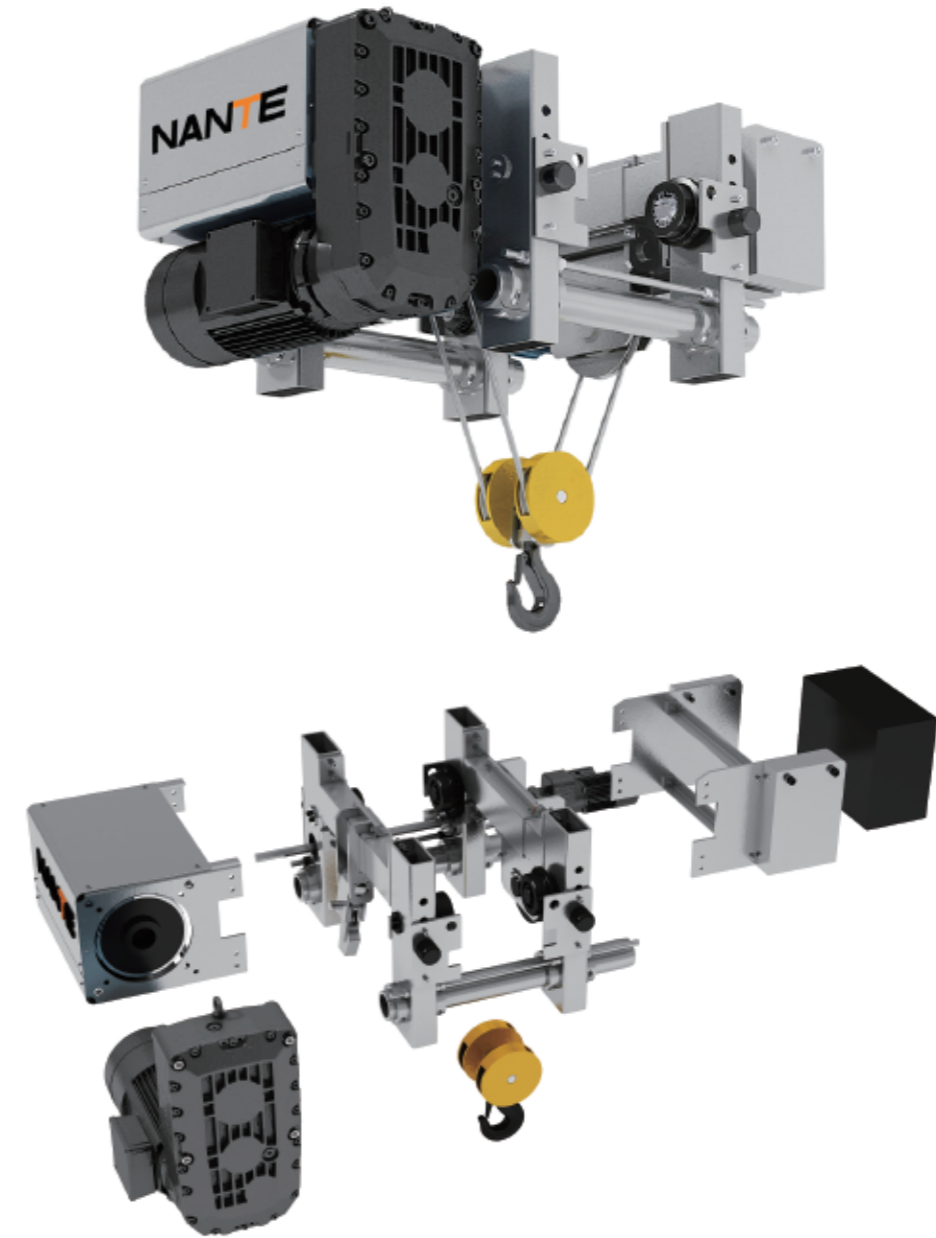


Wire Rope Hoist

Crane Lifting Mechanism

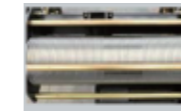
Catalogue

NHA - NHC - NW - CD Series



Lifting Gear Motor

Compact design, smooth operation and low noise level.
Three-in-one system integrated by pole-changing professional hoisting motor, Different gear ratio makes more options for different lifting speed.
Low energy consumption motor with electromagnetic disk type brake with electromagnetic disk type IP55(IP56,IP66 is options), Class F(Class H is options).



Rope Drum

Made of seamless tube, CNC machined with precision of concentricity.
Advanced processing methods ensure concentricity of the reels. The depth of rope groove complies with the FEM standard.
High-strength lock plates are fastened on drum to hold the wire rope ensuring the safety of lifting.



Wire Rope

Top brand wire rope, adopt high-performance and high-trength wire rope with zinc surfacing-plating, effectively prevent corrosion, high breaking force and good flexibility.



Rope Guider

Use special high-strength Nylon which light weight, good wear resistance, Prevent wire rope from skipping and losing to off-groove, and safety first.



Hook

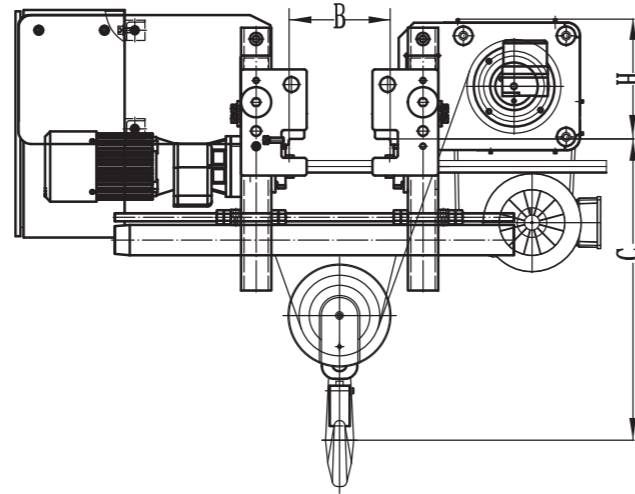
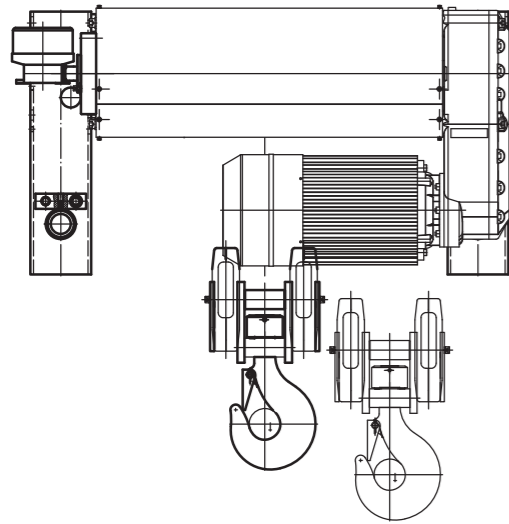
Forge high-strength alloy steel T grade hook, DIN standard with safety clasp and wire rope sheath ergonomic design.



Control Panel

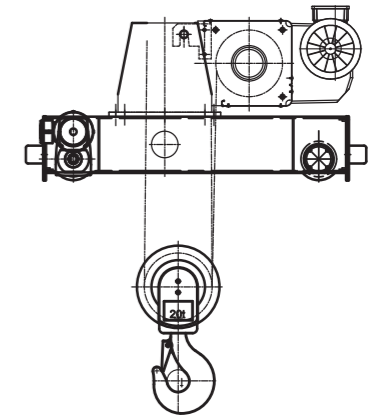
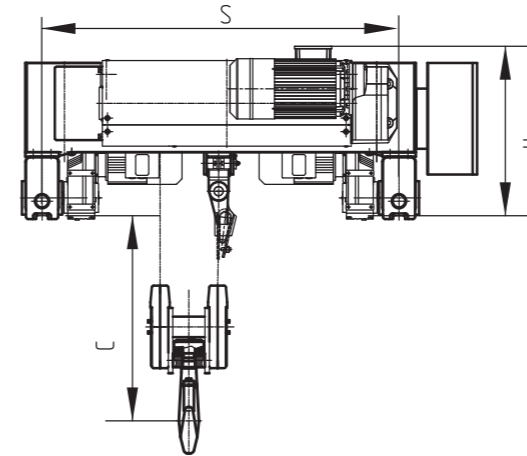
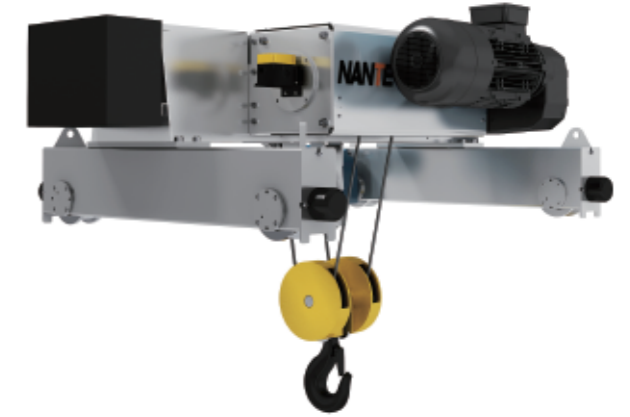
Top brand electrical unit and inverter for long service life. Clear labeling and socket design for easy maintenance and wiring. Multiple protection devices to make sure the safety.

NHA Low Headroom Hoist



Capacity (t)	Lifting Height (m)	Lifting Speed (m/min)	Rope Reeving	Lifting Power (kW)	Travel Speed (m/min)	Travel Power (kW)	Work Duty FEM/ISO	H (mm)	C (mm)	Rail Gauge B(mm)
2	6/9/12/15/18	4.8/0.8	4/1	3.6/0.55	20/5	0.64	3m M6	210	556	150-300
3.2	6/9/12/15/18	4.8/0.8	4/1	3.6/0.55	20/5	0.64	2m M5	210	556	150-300
5	6/9/12/15/18	4.6/0.8	4/1	6.1/0.9	20/5	0.64	2m M5	260	596	200-350
6.3	6/9/12/15/18	4.6/0.8	4/1	6.1/0.9	20/5	0.64	1Am M4	260	596	200-350
8	6/9/12/15/18	4.2/0.7	4/1	9.0/1.4	20/5	0.95	3m M6	325	750	200-410
10	6/9/12/15/18	4.2/0.7	4/1	9.0/1.4	20/5	0.95	2m M5	325	750	200-410
12.5	6/9/12/15/18	4.6/0.8	4/1	11.0/1.8	20/5	0.95	1Am M4	325	750	200-410
16	6/9/12/15/18	3.5/0.6	4/1	15/2.3	20/5	0.95×2	2m M5	400	920	300-450
20	6/9/12/15/18	3.5/0.6	4/1	15/2.3	20/5	0.95×2	1Am M4	400	920	300-450

NHA-D Double Girder Hoist



Capacity (t)	Lifting Height (m)	Lifting Speed (m/min)	Rope Reeving	Lifting Power (kW)	Travel Speed (m/min)	Travel Power (kW)	Work Duty FEM/ISO	H (mm)	C (mm)	Rail Gauge S(mm)
2	6/9/12/15/18	4.8/0.8	4/1	3.6/0.55	20/5	0.25×2	3m M6	500	420	1400-2000
3	6/9/12/15/18	4.8/0.8	4/1	3.6/0.55	20/5	0.25×2	2m M5	500	420	1400-2000
5	6/9/12/15/18	4.6/0.8	4/1	6.1/0.9	20/5	0.25×2	2m M5	520	425	1400-2000
6	6/9/12/15/18	4.6/0.8	4/1	6.1/0.9	20/5	0.37×2	1Am M4	520	425	1400-2000
8	6/9/12/15/18	4.2/0.7	4/1	9.0/1.4	20/5	0.37×2	3m M6	550	580	1400-2000
10	6/9/12/15/18	4.2/0.7	4/1	9.0/1.4	20/5	0.37×2	2m M5	550	580	1400-2000
10	6/9/12/15/18	0.6~3.5	4/1	9.6	20/5	0.37×2	2m M5	550	580	1400-2000
12.5	6/9/12/15/18	4.6/0.8	4/1	11.0/1.8	20/5	0.64×2	1Am M4	550	580	1400-2000
12.5	6/9/12/15/18	0.8~4.9	4/1	13	20/5	0.64×2	1Am M4	550	580	1400-2000
16	6/9/12/15/18	3.5/0.6	4/1	15/2.3	20/5	0.96×2	2m M5	720	920	1400-2400
20	6/9/12/15/18	3.5/0.6	4/1	15/2.3	20/5	0.96×2	1Am M4	720	920	1400-2400
20	6/9/12/15/18	3.5/0.6	8/2	15/2.3	20/5	0.96×2	2m M5	720	920	1800-2700
20	6/9/12/15/18	0.6~3.7	8/2	16	20/5	0.96×2	2m M5	720	920	1800-2700
25	6/9/12/15/18	3/0.5	12/2	17/2.8	20/5	1.1×2	2m M5	850	800	1800-3800
25	6/9/12/15/18	0.5~3.1	12/2	19	20/5	1.1×2	2m M5	850	800	1800-3800
32	6/9/12/15/18	2.7/0.5	12/2	17/2.8	20/5	1.5×2	1Am M4	850	800	1800-3800
32	6/9/12/15/18	0.4~2.5	12/2	19	20/5	1.5×2	1Am M4	850	800	1800-3800
32	6/9/12/15/18	3.4/0.8	16/2	22/5.5	20/5	1.5×2	3m M6	1025	800	1800-3800
32	6/9/12/15/18	0.9~3.9	16/2	30	20/5	1.5×2	3m M6	1025	800	1800-3800
40	6/9/12/15/18	2.6/0.7	16/2	22/5.5	20/5	1.5×2	2m M5	1025	800	1800-3800
40	6/9/12/15/18	0.7~3.5	16/2	30	20/5	1.5×2	2m M5	1025	800	1800-3800
40	6/9/12/15/18	0.8~4.0	12/2	40	20/5	1.5×2	2m M5	1025	800	2200-3800
50	6/9/12/15/18	2.1/0.5	16/2	22/5.5	20/5	2.2×2	1Am M4	1090	800	1800-3800
50	6/9/12/15/18	0.8~4.0	12/2	40	20/5	2.2×2	1Am M4	1090	800	2200-3800
63	6/9/12/15/18	0.7~3.0	12/2	40	20/5	3×2	1Am M4	1090	800	2200-3800