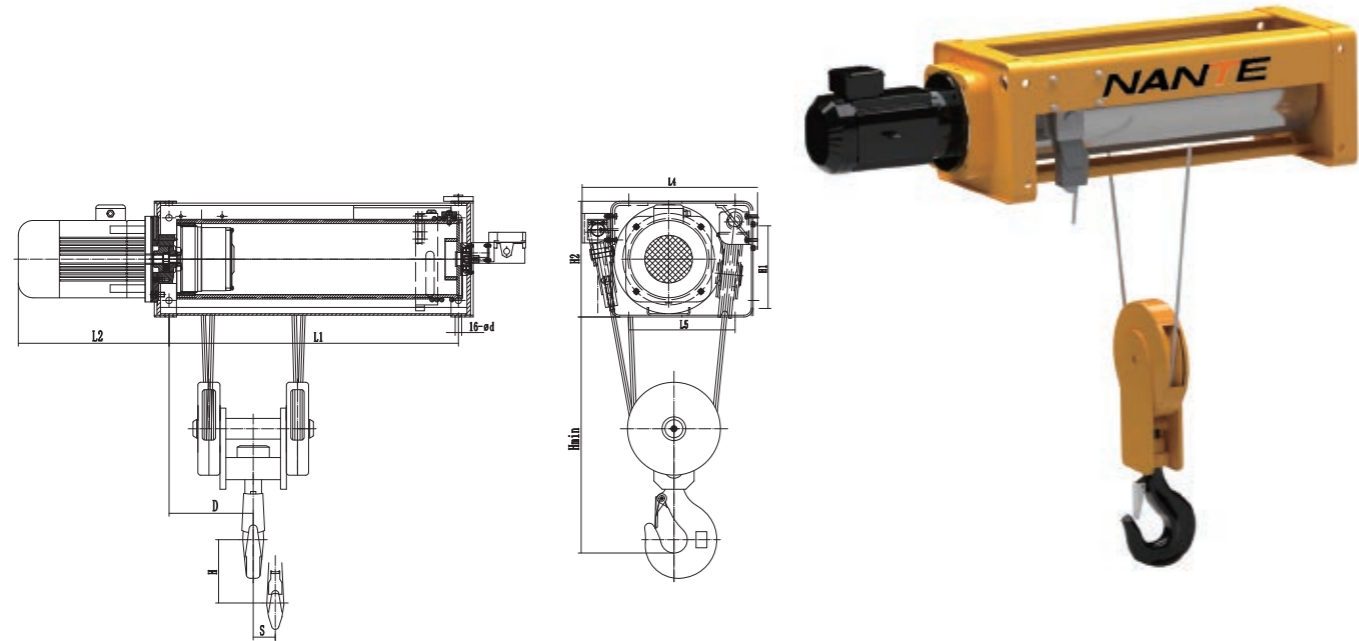


NHC-F

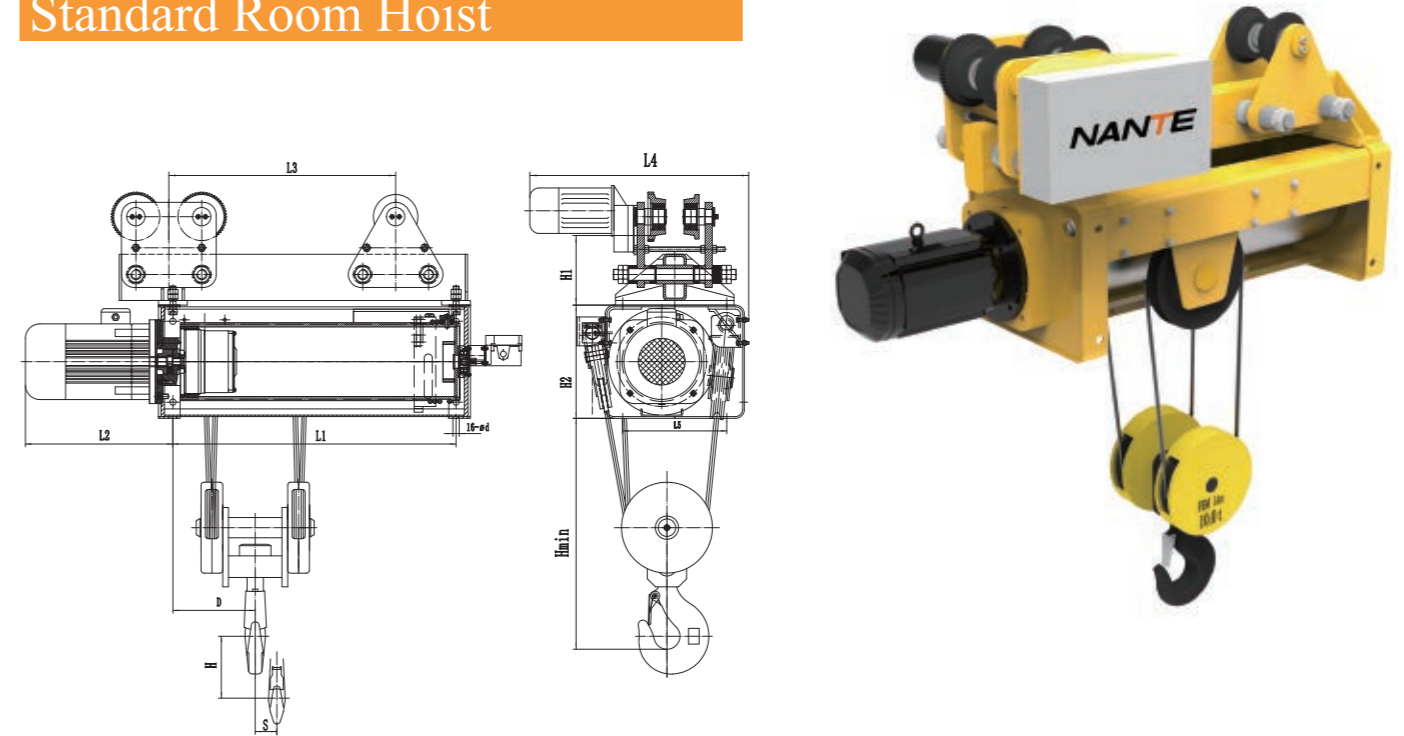
Fixed Hoist



Capacity (t)	Work Duty	Lifting Height (m)	Lifting Speed (m/min)	Rope Reeving	Lifting Motor Power (kW)	L1 (mm)	L2 (mm)	L3 (mm)	L4 (mm)	L5 (mm)	H1 (mm)	H2 (mm)	Hmin (mm)	d (mm)	D (mm)	S (mm)
2	M4	6	7.2 7.2/0.72	2/1	3 3/0.4	458	388	268	454	320	230	352	600	18	160	105
		9				553	388	363								155
		12				648	388	458								205
		18				838	388	648								310
		24				1028	388	838								410
30	1218	388	1028	510												
3.2	M4	6	7.2 7.2/0.72	2/1	4.5 4.5/0.4	488	412	298	454	320	230	352	620	18	130	110
		9				598	412	408								165
		12				708	412	518								220
		18				928	412	738								325
		24				1148	412	958								435
30	1368	412	1178	540												
5	M4	6	7.8 7.8/0.78	2/1	7.5 7.5/0.8	520	512	325	497	360	280	392	820	22	170	115
		9				635	512	440								175
		12				750	512	555								230
		18				980	512	785								345
		24				1210	512	1015								460
30	1440	512	1245	570												
3.2	M4	6	3.6 3.6/0.36	4/1	3 3/0.4	648	388	458	551	320	230	352	600	18	250	55
		9				838	388	648								85
		12				1028	388	838								110
		15				1218	388	1028								140
6.3	M4	6	3.6 3.6/0.36	4/1	4.5 4.5/0.4	708	412	518	551	320	230	352	620	18	255	55
		9				928	412	738								85
		12				1148	412	958								110
		15				1368	412	1178								140
10.0	M4	6	3.9 3.9/0.39	4/1	7.5 7.5/0.8	750	512	555	594	360	280	392	800	22	285	60
		9				980	512	785								90
		12				1210	512	1015								120
		15				1440	512	1245								150

NHC

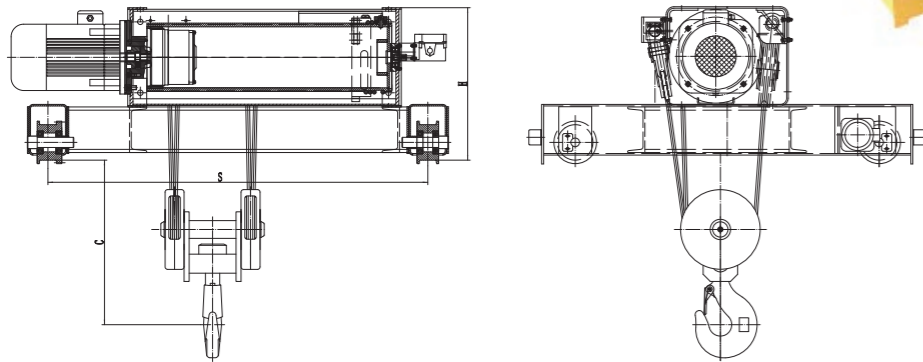
Standard Room Hoist



Capacity (t)	Work Duty	Lifting Height (m)	Lifting Speed (m/min)	Traveling Speed (m/min)	Rope Reeving	Lifting Motor Power (kW)	Travelling Motor Power (kW)	I-beam Track (mm)	L1 (mm)	L2 (mm)	L3 (mm)	L4 (mm)	L5 (mm)	H1 (mm)	H2 (mm)	Hmin (mm)	d (mm)	D (mm)	S (mm)
2	M4	6	7.2 7.2/0.72	20	2/1	3 3/0.4	0.37	116~180	458	388	268	690~730	320	241	352	600	18	160	105
		9							553	388	363								155
		12							648	388	458								205
		18							838	388	648								310
		24							1028	388	838								410
30	1218	388	1028	510															
3.2	M4	6	7.2 7.2/0.72	20	2/1	4.5 4.5/0.4	0.37	116~180	488	412	298	700~730	320	241	352	620	18	130	110
		9							598	412	408								165
		12							708	412	518								220
		18							928	412	738								325
		24							1148	412	958								435
30	1368	412	1178	540															
5	M4	6	7.8 7.8/0.78	20	2/1	7.5 7.5/0.8	0.6	120~180	520	512	325	750~780	360	241	392	820	22	170	115
		9							635	512	440								175
		12							750	512	555								230
		18							980	512	785								345
		24							1210	512	1015								460
30	1440	512	1245	570															
3.2	M4	6	3.6 3.6/0.36	20	4/1	3 3/0.4	0.37	116~180	648	388	458	690~730	320	241	352	600	18	250	55
		9							838	388	648								85
		12							1028	388	838								110
		15							1218	388	1028								140
6.3	M4	6	3.6 3.6/0.36	20	4/1	4.5 4.5/0.4	0.6	120~180	708	412	518	700~730	320	241	352	620	18	255	55
		9							928	412	738								85
		12							1148	412	958								110
		15							1368	412	1178								140
10.0	M4	6	3.9 3.9/0.39	20	4/1	7.5 7.5/0.8	0.75	120~180	750	512	555	750~780	360	241	392	800	22	285	60
		9							980	512	785								90
		12							1210	512	1015								120
		15							1440	512	1245								150

NHC-D

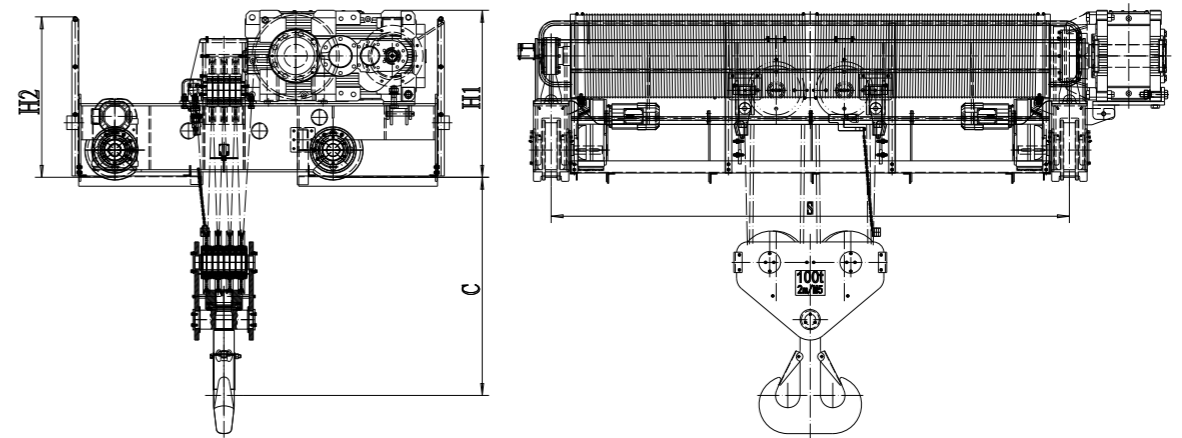
Double Girder Hoist



Capacity (t)	Work Duty	Lifting Height (m)	Lifting Speed (m/min)	Traveling Speed (m/min)	Rope Reeving	Lifting Motor Power (kW)	Travelling Motor Power (kW)	Rail Gauge S(mm)	H (mm)	C (mm)
2	M4	6	7.2 7.2/0.72	20	2/1	3 3/0.4	0.25×2	1000~1800	557	550
		9								
		12								
		18								
		24								
3.2	M4	6	7.2 7.2/0.72	20	2/1	4.5 4.5/0.4	0.25×2	1000~1800	557	550
		9								
		12								
		18								
		24								
5	M4	6	7.8 7.8/0.78	20	2/1	7.5 7.5/0.8	0.25×2	1000~2000	597	650
		9								
		12								
		18								
		24								
3.2	M4	6	3.6 3.6/0.36	20	4/1	3 3/0.4	0.25×2	1200~1800	557	550
		9								
		12								
		15								
		6.3								
9										
12										
15										
10	M4	6	3.9 3.9/0.39	20	4/1	7.5 7.5/0.8	0.4×2	1200~2000	602	650
		9								
		12								
		15								

NWA

Electric Winch



Capacity (t)	Lifting Height (m)	Lifting Speed (m/min)	Power of Lifting (kW)	Traveling speed (m/min)	Power of Traveling (kW)	Work Duty FEM/ISO	H1/H2 (mm)	C (mm)	Rail Distance S (mm)
10	16	0.65~6.5	11	2~20	0.55×2	2m/M5	632/1155	850	1600
	20								2100
16	16	0.4~4	11	2~20	0.75×2	2m/M5	632/1155	950	2000
	20								2000
20	15	0.4~4	15	2~20	0.75×2	2m/M5	762/1160	1000	2000
	20								2500
25	16	0.4~4	18.5	2~20	1.1×2	2m/M5	825/1160	1150	2000
	20								2000
32	12	0.4~4	22	2~20	1.5×2	2m/M5	885/1160	1150	2000
	18								2800
40	12	0.4~4	30	2~20	1.5×2	2m/M5	960/1193	1250	2000
	18								2000
50	12	0.4~4	37	2~20	2.2×2	2m/M5	1030/1193	1250	2300
	18								3200
63	12	0.4~4	45	2~20	3.0×2	2m/M5	1200/1193	1400	2300
	18								2300
80	12	0.3~3	45	2~20	3.0×2	2m/M5	1250/1176	1500	2700
	18								3800
100	12	0.25~2.5	45	2~20	4.0×2	2m/M5	1315/1176	1600	2800
	18								2800